

Functional Safety -

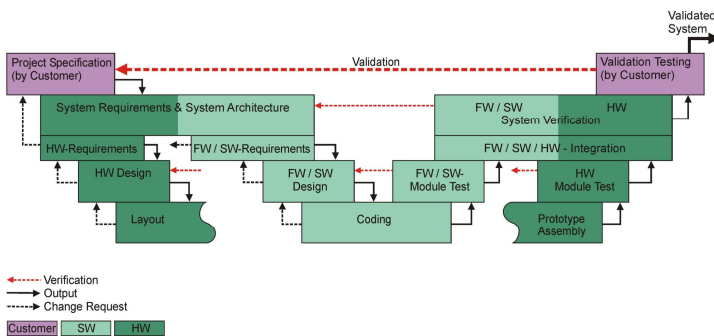
Product development complies with IEC 61508

Overview

Product reliability and functional safety are crucial factors if you want to stay competitive. IEC 61508 always provides you with the opportunity to achieve functional safety in any hardware and software development. However, the challenges with development methods and implementation are considerable.



V-Model



Services

- Complete product development to IEC 61508, IEC61010-1, NE 79
- SIL1-3: Standards-based concept and development of hardware and software
- Implementation of secure communication for secure field bus systems
- PC software for parameterization and diagnosis of functionally safe devices
- Tool-supported realization of hardware and software
- Project consulting and cooperation with certification authorities (incl. BIA, TÜV), servicing branch offices
- Help with issue of certification-relevant documents
- Workshops

The Standard

The strength of IEC 61508 lies in being a consistently job-based development model both for equipment as well as for installations, and one that goes right to the heart of the development process. It takes account of the elements of all previous standards in the safety area and is therefore applicable to any development regardless of the field of operation.

Functional Safety Projects at MESCO

Actuator (Valve) with HART and SIL3 Safety Shut-Off Device
Hardware and software, complete development

Decentralized I/O Fieldbus Node with PROFIBUS PROFIsafe, SIL3 IEC 61508
Deployment of MESCO PROFIsafe stacks

Frequency Converter, Safety Module
PROFIsafe-based SIL3 application with safe speed and safe stop, safe parameterization via PC software

Frequency Converter, Optional SIL2 Circuit Board
PROFIsafe-based SIL2 application, implementation of PROFIsafe software

Motor control via 3 axes, hospital bed control
Firmware development based on First Failure Safety EN60601-1, PC software for configuration and diagnosis of safety-relevant data

Safety Related Products

- PROFIsafe Library

